



EDIFACT DESADV D96A

Despatch Advice

**from Suppliers to FAURECIA
implementation guideline**

Version 3.3

Date 29-07-2019

Table of contents

1. Document versions.....	2
2. Introduction.....	2
3. Message structure referenced at Faurecia	3
3.1. Segment table	3
3.2. Branch diagram.....	4
3.3. Detailed information about Packaging.....	5
3.4. Segments description.....	13
4. Examples.....	48
4.1. Example of Dispatch Advice referring to a MURN - LISA process.....	48
4.2. Example using Simplified Handling Units	49
4.3. Example using homogeneous Handling Units	50
4.4. Example using Mixed (Heterogeneous) Handling Units	52
5. Appendix	53

1. Document versions

Version	Date	Comments
1.9	17.02.2014	Initial issue
2.0	15.09.2014	To take into account the ASNs done when the Despatch is made to meet a Manifest. To take into account the extended specification in Packaging area.
2.1	05.03.2015	Miskeying page 23 may lead to confusions. "CZ" was replaced with "SE".
2.2	09.01.2017	Miskeying in sample in page 29 may lead to confusions; Wrong Sample QTY+52+100:PCE' Good sample QTY+52:100:PCE'
2.3	27.07.2017	Correct mistake in Page 25, packaging item length: 17 digits instead of 10
3.0	12.01.2018	New version – new guideline layout + additional explanations and EDI samples + New appendix
3.1	15.03.2018	Correct mistake in LIN.7140; Faurecia material is 10 digits max.
3.2	30.11.2018	Correct mistake: Remove "No Decimals" comment in QTY+12 & QTY+52 segments. It allows managing unit of measures as MTR, KGM,... 2 decimals max.
3.3	29.7.2019	LIN7140: Faurecia material length allowed is 35 instead of 10 digits max.

2. Introduction

This document provides the definition of an Advanced Shipping Notification (ASN) or Despatch Advice Message, based on the EDIFACT DESADV D96A, to be used in Electronic Data Interchange (EDI) between a Trading Partner and a Faurecia Company. The ASN/Despatch Advice message is a message from a Supplier to the relevant Faurecia application. It gives information concerning material despatched to a Faurecia location as instructed by a previously received Delivery Instruction and in line with the conditions set out in the contract or order.

Functional description

The ASN/Despatch Advice message intends to:

- advise the recipient (Consignee) of the despatch of goods and to provide the details regarding the content of the consignment, including packages and handling units.
- allow the recipient (Consignee) to track material shipments and to prepare the physical receipt of the consignment.

The ASN/Despatch Advice message must always include the transportation information (e.g., weight, means of transport, etc.) related to the load advised.

When the Despatch is made to meet the Delivery instructions given through a Manifest issued by Faurecia, then the MURN (Manifest Unique Reference Number, assigned by Faurecia) must be included in the ASN. **It is mandatory that the ASN/Despatch Advice is sent immediately after the departure of the materials.**

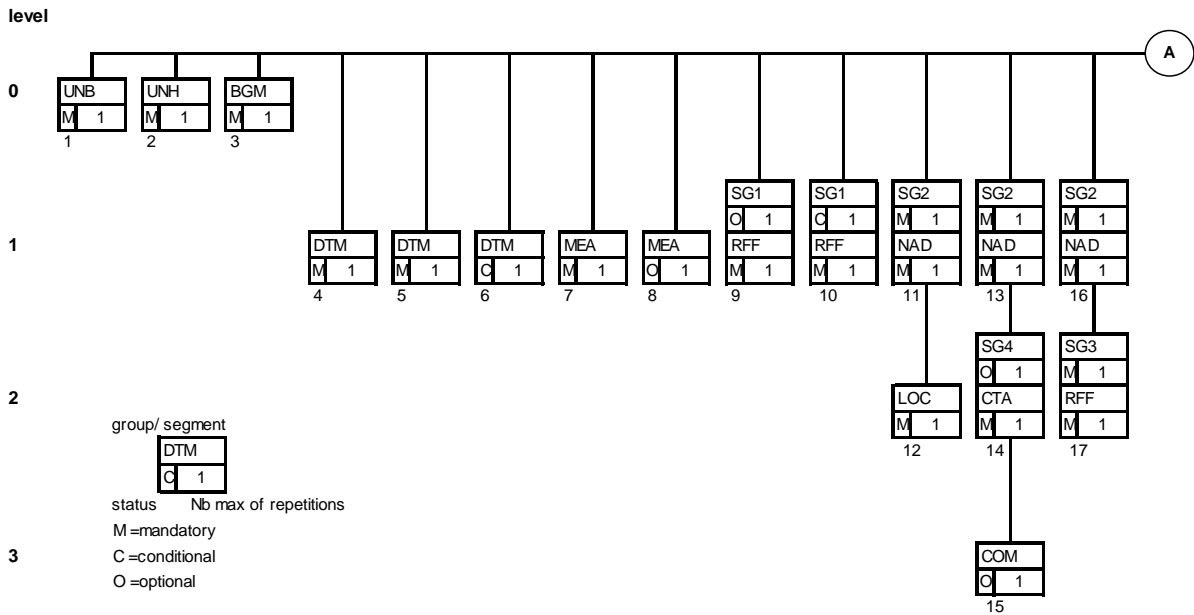
3. Message structure referenced at Faurecia

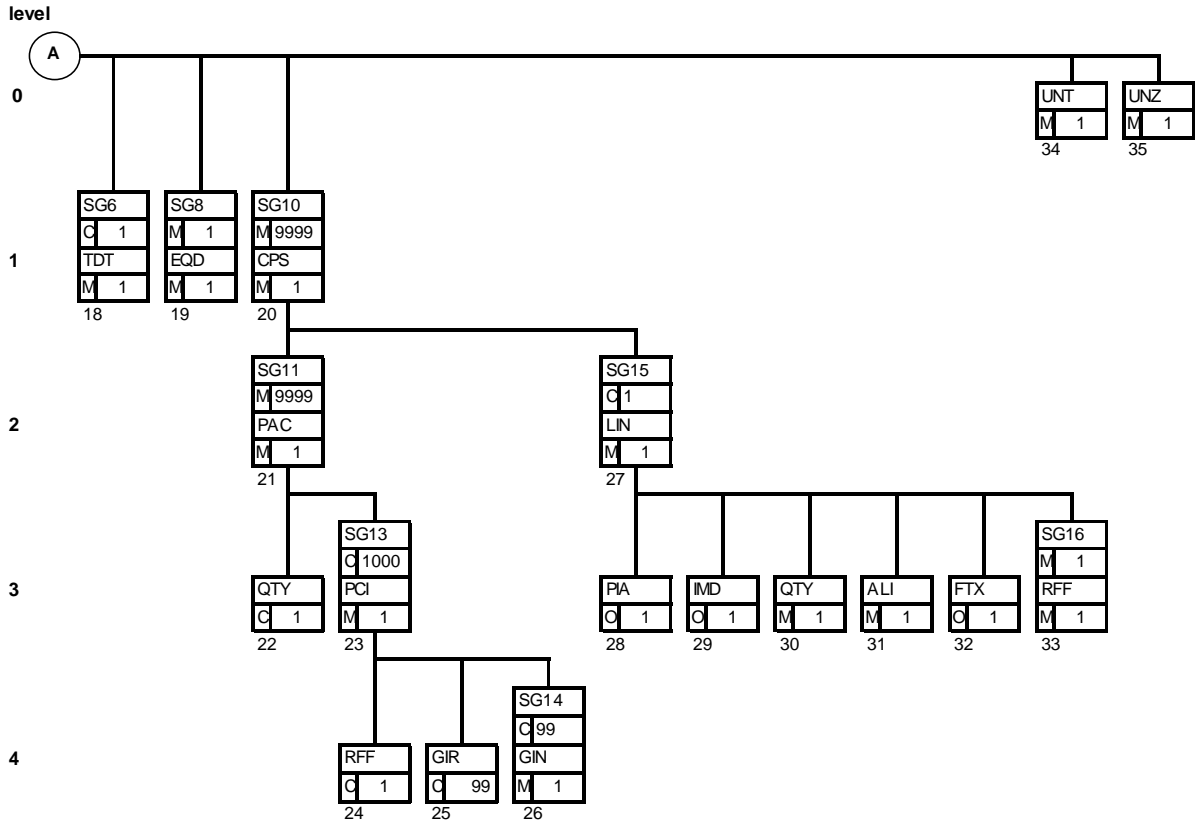
3.1. Segment table

Pos.	Tag	Std Sts	Std Nb of rep.	Fau. Sts	Fau. Nb of rep.	Description
1	UNB	M	1	M	1	Interchange Header
2	UNH	M	1	M	1	Message Header
3	BGM	M	1	M	1	Beginning of message
4	DTM	C	10	M	1	Date of message
5	DTM			M	1	Expected date of delivery
6	DTM			C	1	Despatch date
7	MEA	C	5	M	1	Measurements – gross weight
8	MEA			O	1	Measurements
	SG1	C	10	O	1	RFF
9	RFF	M	1	M	1	Carrier Reference
	SG1			C	1	RFF
10	RFF			M	1	MURN – Manifest Unique Ref. Number assigned by Faurecia
	SG2	C	10	M	1	NAD-LOC
11	NAD	M	1	M	1	Consignee details
12	LOC	C	10	M	1	Place of discharge
	SG2			M	1	NAD-SG4
13	NAD			M	1	Consignor details
	SG4	C	10	O	1	CTA-COM
14	CTA	M	1	M	1	Contact details
15	COM	C	5	O	1	Communication details
	SG2			M	1	NAD-SG3
16	NAD			M	1	Seller details
	SG3	C	10	M	1	RFF
17	RFF	M	1	M	1	Vendor number assigned by Faurecia
	SG6	C	10	C	1	TDT
18	TDT	M	1	M	1	Details on Transport
	SG8	C	10	M	1	EQD
19	EQD	M	1	M	1	Equipment details
	SG10	C	9999	M	9999	CPS-SG11-SG15
20	CPS	M	1	M	1	Consignment Packing Sequence
	SG11	C	9999	M	9999	PAC-QTY-SG13
21	PAC	M	1	M	1	Package
22	QTY	C	10	C	1	Quantity
	SG13	C	1000	C	1000	PCI-RFF-GIR
23	PCI	M	1	M	1	Package identification
24	RFF	C	1	C	1	Reference
25	GIR	C	99	C	99	Related Identification Numbers
	SG14	C	99	C	99	GIN
26	GIN	M	1	M	1	Goods Identity Numbers
	SG15	C	9999	C	1	LIN-PIA-IMD-QTY-ALI-FTX-SG16
27	LIN	M	1	M	1	Line item level: material number and line item number
28	PIA	C	10	O	2	Additional product Id.
29	IMD	C	25	O	1	Line item description
30	QTY	C	10	M	1	Quantity
31	ALI	C	10	M	1	Additional Information
32	FTX	C	5	O	1	Free text
	SG16	C	10	M	1	RFF
33	RFF	M	1	M	1	Reference – Purchase Order Number
34	UNT	M	1	M	1	Message Trailer
35	UNZ	M	1	M	1	Interchange trailer

Faurecia specific: M=Mandatory, C=Conditional, O=Optional, N=Not used

3.2. Branch diagram





3.3. Detailed information about Packaging

This section to bring clarifications in the area of Packaging, since this part of the despatch advice may be complex.

Definitions:

Package = A packaging in which the article itself is loaded.

Handling Unit = A device which can be handled physically (e.g. Pallet) and may carry one or several packages.

Handling units can be differentiated:

Simplified Handling Unit

Consists of one package which is handling unit at the same time.

Non Simplified Handling Unit

Consists of one or more packages which are not handling units at the same time.

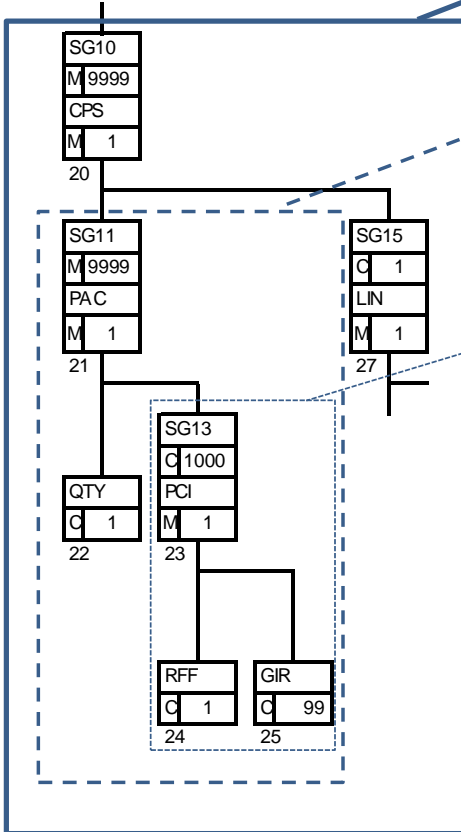
Homogeneous Handling Unit: Consists of one unique article number.

Mixed Handling Unit: Consists of more than one article number (also called Heterogeneous HU).

Important note: Faurecia does not support multi-article packages,
i.e. packages containing several different articles are not accepted.

Structures and repetitions:

Inner Packaging - CPS 7075 = 1 - Mandatory



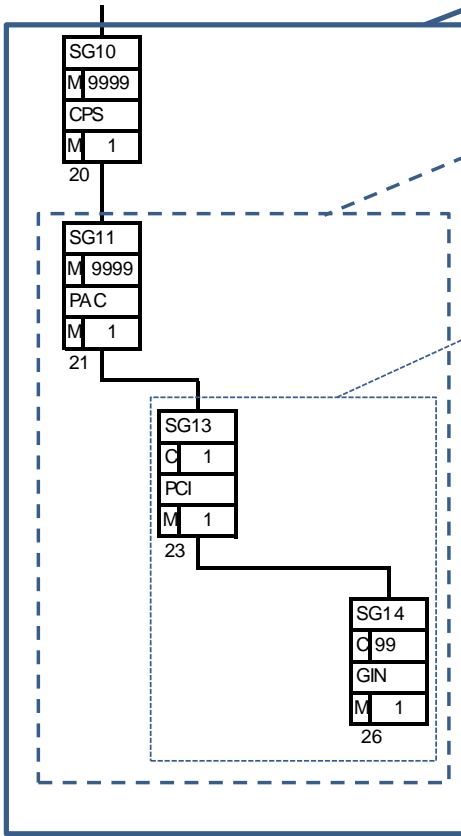
SG10 loop if several article numbers are delivered to the same place of discharge

SG11 loop if:

- * the same article number is packed in different types of package.
- * the same article number is packed in the same type of package but with different quantities.
- * auxiliary packaging is used in conjunction with the package type described for Inner Packaging.

SG13 loop if one article's package refers to different handling units

Outer packaging - CPS 7075 = 3 Optional



SG10 loop if several package types are used for Outer Packaging level (handling unit level)

1 occurrence of SG11 per package type, Outer Packaging, and per auxiliary packaging used in conjunction with the package type described for Outer Packaging.

1 occurrence of SG13 per SG11 when it is description of the package type for Outer Packaging

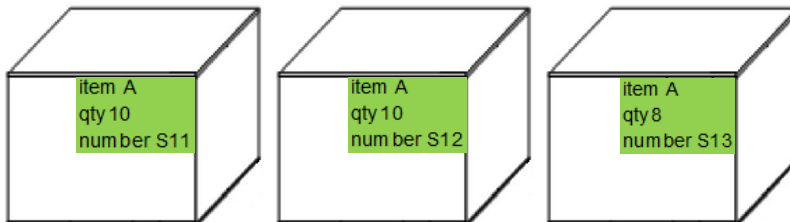
Examples

Simplified Handling Units

Item A is packed in Simplified Handling Unit, package type is SHU1, and standard quantity per package is 10 pieces. 3 packages are dispatched; package numbers are 11, 12, and 13. Package 13 has non-standard quantity, 8 pieces,

Item A is packed in three (3) small Packages:

- Package type: **SHU1**
 - o Package #**S11** = **10** pieces
 - o Package #**S12** = **10** pieces
 - o Package #**S13** = **8** pieces (non-standard pack)



CPS+1++1'

PAC+2++SHU1::92'

QTY+52:10:PCE'

PCI+17'

RFF+AAT:11'

GIR+3+11:ML'

PCI+17'

RFF+AAT:12'

GIR+3+12:ML'

PAC+1++SHU1::92'

QTY+52:8:PCE'

PCI+17'

RFF+AAT:13'

GIR+3+13:ML'

LIN+++A:IN++0'

QTY+12:28:PCE'

Simplified Handling Units with Auxiliary Packaging

Item A is packed in Simplified Handling Unit, package type is SHU1, and there are auxiliary packaging materials, with package type COV and package type COV2.

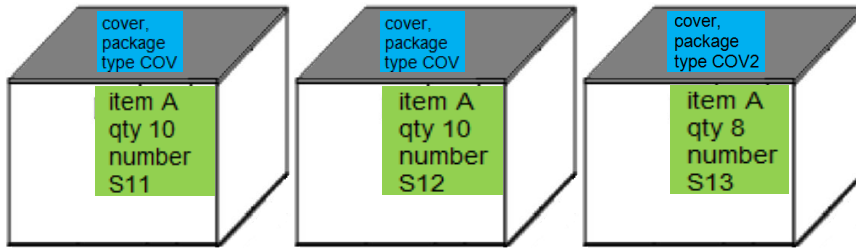
Standard quantity per package is 10 pieces.

3 packages are dispatched; package numbers are 11, 12, and 13.

Package 13 has non-standard quantity, 8 pieces.

Item A is packed in three (3) small Packages, with Covers on each Package:

- Package type: **SHU1**
 - o Package #**S11** = **10** pieces
 - o Package #**S12** = **10** pieces
 - o Package #**S13** = **8** pieces (non-standard pack)
- Auxiliary Packaging materials, one (1) per Package:
 - o **COV**
 - o **COV2**



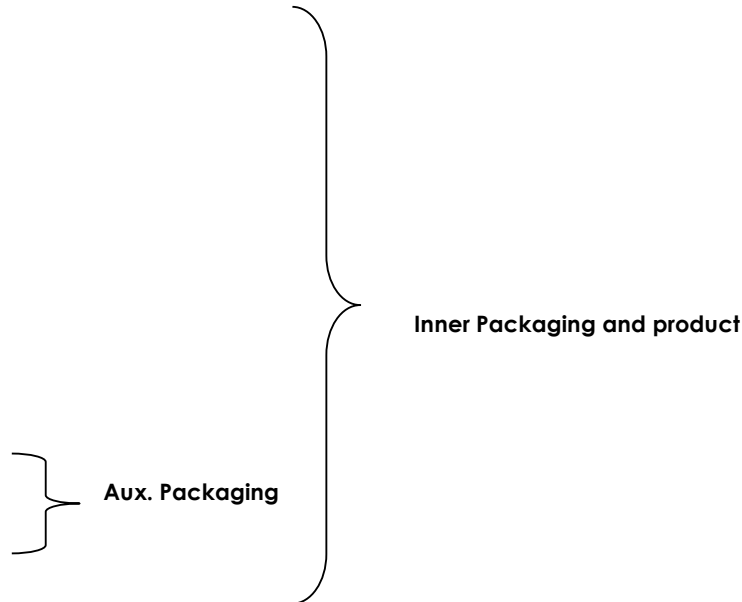
CPS+1++1'

PAC+2++SHU1:::92'
QTY+52:10:PCE'
PCI+17'
RFF+AAT:11'
GIR+3+11:ML'
PCI+17'
RFF+AAT:12'
GIR+3+12:ML'

PAC+1++SHU1:::92'
QTY+52:8:PCE'
PCI+17'
RFF+AAT:13'
GIR+3+13:ML'

PAC+2+:37+COV:::92'
PAC+1+:37+COV2:::92'

LIN+++A:IN++0'
QTY+12:28:PCE'



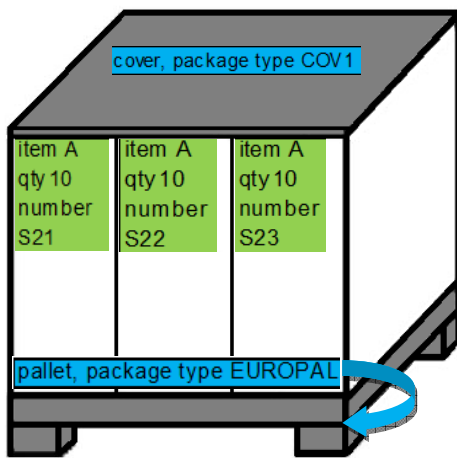
NOTE: **Aux. Packaging is optional** and not mandated, however if your PC&L analyst is requesting this information, they will communicate the packaging name/code to you in advance

Homogeneous Handling Units, with Auxiliary Packaging

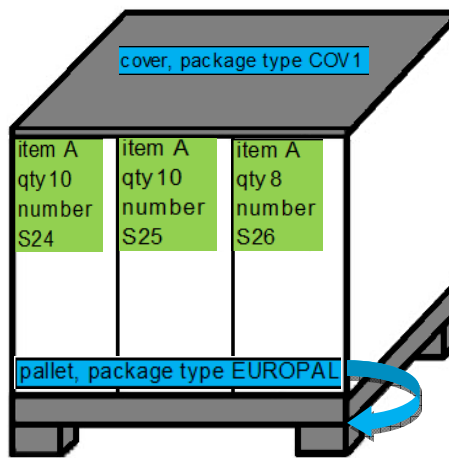
Item A is packed in 6 small packages 21 to 26 with package type BOX1, then piled on pallets, 3 boxes per pallet, pallet has package type EUROPAL, 1 cover is used per pallet; cover has package type COV1. Quantity per package is 10 pieces. Package 26 has non-standard quantity, 8 pieces.

Item A is packed in six (6) small Packages which are loaded onto Pallets, with Covers on each Pallet:

- Package type: **BOX1**
 - o Package # **S21** = 10 pieces
 - o Package # **S23** = 10 pieces
 - o Package # **S25** = 10 pieces
 - o Package # **S22** = 10 pieces
 - o Package # **S24** = 10 pieces
 - o Package # **S26** = 8 pieces (non-standard pack)
- Packages are piled on two (2) Pallets type: **EUROPAL**
 - o Pallet #**M101** = Packages **S21, S22, S23**
 - o Pallet #**M102** = Packages **S24, S25, S26**
- Auxiliary Packaging materials, one (1) per Pallet:
 - o **COV1**



Homogeneous HU, Pallet Number M101



Homogeneous HU, Pallet Number M102

```

CPS+2++1'
PAC+5++BOX1:::92'
QTY+52:10:PCE'
PCI+17'
RFF+AAT:101'
GIR+3+21:ML'
GIR+3+22:ML'
GIR+3+23:ML'
PCI+17'
RFF+AAT:102'
GIR+3+24:ML'
GIR+3+25:ML'

PAC+1++BOX1:::92'
QTY+52:8:PCE'
PCI+17'
RFF+AAT:102'
GIR+3+26:ML'
  
```

Inner Packaging and Product

LIN+++A:IN++0'
QTY+12:58:PCE'
CPS+3++3'

PAC+2+:41+EUROPAL::92'
PCI+17'
GIN+ML+101+102'

PAC+2+:37+COV1::92'

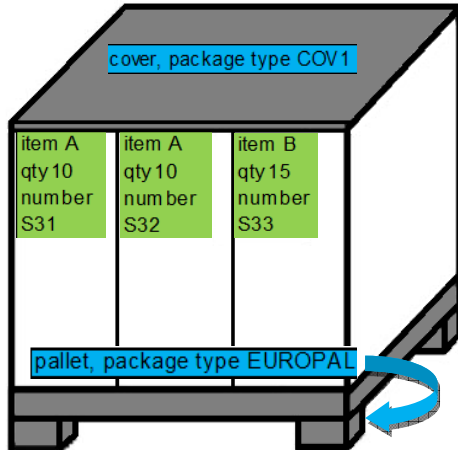
Aux. Packaging

Outer Packaging

NOTE: Outer Packaging (CPS+x++3) is optional however if your PC&L analyst is requesting this information, they will communicate the packaging name/code to you in advance.

Mixed Handling Units with Auxiliary Packaging

Item A and B are packed respectively in 2 small packages 31 to 32 and in 1 package 33, all having package type BOX1, then piled on 1 pallet, 3 boxes per pallet, pallet has package type EUROPAL, 1 cover is used per pallet, cover has package type COV1. Quantity per package is 10 pieces for A and 15 pieces for B.



CPS+4++1'

PAC+2++BOX1::92'
QTY+52:10:PCE'
PCI+17'
RFF+AAT:109'
GIR+3+31:ML'
GIR+3+32:ML'

LIN+++A:IN++0'
QTY+12:20:PCE'

CPS+5++1'

PAC+1++BOX1::92'
QTY+52:15:PCE'
PCI+17'
RFF+AAT:109'
GIR+3+33:ML'

LIN+++B:IN++0'
QTY+12:15:PCE'

CPS+6++3'

PAC+1+:41+EUROPAL::92'
PCI+17'
GIN+ML+109'

PAC+1+:37+COV1::92'

Aux. Packaging

Inner Packaging, Product 1

Inner Packaging, Product 2

Outer Packaging

NOTE: Outer Packaging (CPS+x++3) is optional however if your PC&L analyst is requesting this information, they will communicate the packaging name/code to you in advance.

3.4. Segments description

Segment: **UNB** Pos.: 1 Level: 0
Status: M Max. occ.: 1

Function: INTERCHANGE HEADER

Usage Notes: Service segment providing the unique identification of an interchange. It allows the identification of the sender and the receiver of the interchange, gives the date and time of preparation as well as the interchange control reference and the application reference

EDIFACT STANDARD			FAURECIA Implementation		
Name	St Format	St	Sample	Usage / Remarks	
UNB			UNB		
S001 SYNTAX IDENTIFIER	M	M			
0001 Syntax identifier	M a..4	M	+UNOA	UNOA = UN/ECE level A	
0002 Syntax version number	M n..1	M	:3	3 = Version 3 Indication of the syntax version used for this message.	
S002 INTERCHANGE SENDER	M	M			
0004 Sender identification	M an..35	M	+O09310000875450157VIGAS	Address of the party originating the message.	
0007 Partner identificion code qualifier	C an..4	C	:01	Upon agreement	
0008 Address for reverse routing	C an..14	C	:605662907	Upon agreement	
S003 INTERCHANGE RECIPIENT	M	M			
0010 Recipient identification	M an..35	M	+O09310000875450157SJMAS4	Communication code/mailbox number of the party receiving the message.	
0007 Partner identification code qualifier	C an..4	C	:01	Qualifier to be determined by the trading partner	
0014 Routing address	C an..14	C	:101649077	Routing Subaddress to be determined by the trading partner	
S004 DATE/TIME OF PREPARATION	M	M			
0017 Date of preparation	M n6	M	+131106	YYMMDD	
0019 Time of preparation	M n4	M	:1815	HHMM	
0020 Interchange control reference	M an..14	M	+00027005'	Number generated by the supplier EDI platform	
S005 RECIPIENTS REFERENCE PASSWORD	C	N		Not Used	
0026 Application reference	C an..14	N		Not Used	
0029 Processing prio. code	C a1	N		Not Used	
0031 Acknowledgement request	C n1	N		Not Used	
0032 Communications agreement id	C an..35	N		Not Used	
0035 Test indicator	C n1	C		May be used upon specific agreement	

Examples:

UNB+UNOA:3+O09310000875450157VIGAS+O09310000875450157SJMAS4+131106:1815+0027005'

Faurecia specific: M=Mandatory, C=Conditional, O=Optional, N=Not used

Segment: **UNH** Pos.: 2 Level: 0
Status: M Max. occ.: 1

Function: **MESSAGE HEADER**

Usage Notes: Service segment starting and uniquely identifying a message.
The message type code for a despatch advice message is DESADV

EDIFACT			FAURECIA Implementation		
	Name	St Format	St	Sample	Usage / Remarks
UNH				UNH	
0062	Message reference number	M an..14	M	+1	Message control number assigned by the sender of the message.
S009	MESSAGE IDENTIFIER	M	M		
0065	Message type identifier	M an..6	M	+DESADV	DESADV = Delivery schedule
0052	Message type version number	M an..3	M	:D	D = Draft version/UN/EDIFACT Directory
0054	Message type release number	M an..3	M	:96A	96A =Release 1996 – A
0051	Controlling agency	M an..2	M	:UN	UN =UN/ECE/TRADE/WP.4
0057	Association assigned code	C an..6	O		Not required by Faurecia

Example:

UNH+1+DESADV:D:96A:UN'

UNH+1+DESADV:D:96A:UN:A01051'

Segment: **BGM** Pos.: 3 Level: 0
Status: M Max. occ.: 1

Function: **Identification of a delivery**

Usage Notes: This segment is for a unique identification of the Despatch Advice, by means of its number.

EDIFACT STANDARD			FAURECIA Implementation		
	Name	St Format	St	Sample	Usage / Remarks
BGM				BGM	
C002	Document/message name	M	M		
1001	Document/message name, coded	M an..3	M	+351	351 = Delivery Note
1131	Code list qualifier	C an..3	N	:	Not used
3055	Code list responsible agency, coded	C an..3	N	:	Not used
1000	Document/message name	C an..35	N	:	Not used
C106	Document/message identification	M	M		
1004	Document/message number	M an..35	M	+0012345678'	Delivery note number
1056	version	C an..9	N		Not used
1060	Revision number	C an..6	N		Not used
1225	Message function, coded	C an..3	N		Not used
4343	Response type, coded	C an..3	N		Not used

Example:

BGM+351+0012345678'

Segment: **DTM** Pos.: 4 Level: 1
Status: M Max. occ.: 1

Function: Document Date/Time

Usage Notes: Faurecia requires that the Document date and time are present in the Despatch advice. Messages not containing these informations will be rejected.

EDIFACT			FAURECIA Implementation		
	Name	St Format	St	Sample	Usage / Remarks
DTM				DTM	
C507	Date/time/period	M	M		
2005	Date/time/period qualifier	M an..3	M	+137	137 = Document/message date/time
2380	Date/time/period	C an..35	M	:200812170220	Message Date/Time
2379	Date/time/period format qualifier	C an..3	M	:203'	203 =CCYYMMDDHHMM

Example:

DTM+137:200812170220:203'

Segment: **DTM** Pos.: 5 Level: 1
Status: M Max. occ.: 1

Function: **Expected Delivery Date and time**

Usage Notes: Faurecia requires that the Expected Delivery Date and time;
i.e. the date and time the materials are available at Faurecia, are present in the Despatch Advice.
The Expected Delivery date and time must be after the Document date and time.
This rule should be met at all times: DTM+137 <= DTM+11 <= DTM+132

EDIFACT			FAURECIA Implementation		
	Name	St Format	St	Sample	Usage / Remarks
DTM				DTM	
C507	Date/time/period	M	M		
2005	Date/time/period qualifier	M an..3	M	+132	132 = Delivery Date & time Arrival date/time, estimated
2380	Date/time/period	C an..35	M	:200812180800	Date & time
2379	Date/time/period format qualifier	C an..3	M	:203'	203 = CCYYMMDDHHMM

Example:

DTM+132:200812180800:203'

Segment: **DTM** Pos.: 6 Level: 1
Status: C Max. occ.: 1

Function: **Despatch Delivery Date and time, Conditional**

Usage Notes: When the despatch was made to meet the shipping instruction given by Faurecia through a Manifest, the Despatch Date and Time are required. The Despatch date and time cannot be later than to the Expected Delivery Date and time.
This rule should be met at all times: DTM+137 <= DTM+11 <= DTM+132

EDIFACT			FAURECIA Implementation		
	Name	St Format	St	Sample	Usage / Remarks
DTM				DTM	
C507	Date/time/period	M	M		11=Despatch Date and time
2005	Date/time/period qualifier	M an..3	M	+11	
2380	Date/time/period	C an..35	M	:200812170230	Date & time
2379	Date/time/period format qualifier	C an..3	M	:203	203 = CCYYMMDDHHMM

Example:

DTM+11:200812170230:203'

Segment: **MEA** Pos.: 7 Level: 1
Status: M Max. occ.: 1

Function: **Gross Weight (Measurements)**

Usage Notes: Faurecia requires that the total gross weight of the shipment is present in the Despatch Advice.

EDIFACT			FAURECIA Implementation		
	Name	St Format	St	Sample	Usage / Remarks
MEA				MEA	
6311	Measurement application qualifier	M an..3	M	+AAX	AAX=Consignment measurement
C502	Measurements details	C	M		
6313	Measurement dimension, coded	C an..3	M	+AAD	AAD=Total gross weight
6321	Measurement significance, coded	C an..3	N		Not used
6155	Measurement attribute, coded	C an..3	N		Not used
6154	Measurement attribute	C an..70	N		Not used
C174	Value / Range	C	M		
6411	Measure unit qualifier	M an..3	M	+KGM	For code see UN/ECE Recommendation Nr 20
6314	Measurement value	C n..18	M	: 550'	Total gross weight, no decimals, 8 digits max.
6162	Range minimum	C n..18	N		Not used
6152	Significant digits	C n..2	N		Not used
6432	Measurement attribute	C an..70	N		Not used
7383	Surface/layer indicator, coded	C an..3	N		Not used

Example:

MEA+AAX+AAD+KGM:550'

Segment: **MEA** Pos.: 8 Level: 1
Status: O Max. occ.: 2

Function: **Net weight**

Usage Notes: The total net weight of the shipment may be included in the Despatch Advice. For information only.

EDIFACT			FAURECIA Implementation		
	Name	St Format	St	Sample	Usage / Remarks
MEA				MEA	
6311	Measurement application qualifier	M an..3	M	+AAX	AAX=Consignment measurement
C502	Measurements details	C	M		
6313	Measurement dimension, coded	C an..3	M	+AAC	AAC=Total net weight
6321	Measurement significance, coded	C an..3	N		Not used
6155	Measurement attribute, coded	C an..3	N		Not used
6154	Measurement attribute	C an..70	N		Not used
C174	Value / Range	C	M		
6411	Measure unit qualifier	M an..3	M	+KGM	For code see UN/ECE Recommendation Nr 20
6314	Measurement value	C n..18	M	:300'	Total net weight, no decimals, 8 digits max.
6162	Range minimum	C n..18	N		Not used
6152	Significant digits	C n..2	N		Not used
6432	Measurement attribute	C an..70	N		Not used
7383	Surface/layer indicator, coded	C an..3	N		Not used

Example:

MEA+AAX+AAC+KGM:300'

Group: **SG1** Status: O Max. occ.: 1

Segment: **RFF** Pos.: 9 Level: 1
Status: M Max. occ.: 1

Function: **Carrier Reference, optional**

Usage Notes: For information only.

EDIFACT			FAURECIA Implementation		
	Name	St Format	St	Sample	Usage / Remarks
RFF				RFF	
C506	Reference	M	M		
1153	Reference qualifier	M an..3	M	+CRN	CRN=Conveyance reference number
1154	Reference number	C an..35	M	:ABC123'	

Example:

RFF+CRN:ABC123'

Group: **SG1** Status: C Max. occ.: 1

Segment: **RFF** Pos.: 10 Level: 1
Status: M Max. occ.: 1

Function: **MURN – Manifest Unique Reference Number**

Usage Notes: When the Despatch was made to meet the shipping instruction given by Faurecia through a manifest, it is mandatory to provide the Manifest Unique Reference Number (MURN) initially issued by Faurecia. Recommended practice is to include SG1-RFF+MA segment in the Despatch Advice.
Important: It is mandatory when LISA

EDIFACT			FAURECIA Implementation		
	Name	St Format	St	Sample	Usage / Remarks
RFF				RFF	
C506	Reference	M	M		
1153	Reference qualifier	M an..3	M	+MA	MA= Manifest number
1154	Reference number	C an..35	M	:0184486125'	

Example:

RFF+MA:0184486125'

Group: **SG2** Status: M Max. occ.: 1

Segment: **NAD** Pos.: 7 Level: 1
Status: M Max. occ.: 1

Function: **Consignee Name and Address**

Usage Notes: **Important:** SG2-NAD with Consignee details must be present. It is **critical information**; messages not containing this information will be rejected. The value taken by data element C082 3039 must be retrieved from the delivery schedule, message DELFOR D96A transmitted by Faurecia.

EDIFACT			FAURECIA Implementation		
	Name	St Format	St	Sample	Usage / Remarks
NAD				NAD	
3035	Party qualifier	M an..3	M	+CN	CN = Consignee
C082	Party identification details	C	C		
3039	Party id. identification	M an..35	M	+000244398203800046	Identification assigned to the Consignee, see 3055
1131	Code list qualifier	C an..3	N	:	Not used
3055	Code list responsible agency, coded	C an..3	C	:5	5 = ISO identification 10 = ODETE identification 16 = DUNs number 92 = assigned by Buyer
C058	Name and address	C	O		
3124	Name and address line	M an..35	M	+SHIPTO ADDRESS1	Address
3124	Name and address line	C an..35	C	:	Address
3124	Name and address line	C an..35	C	:	Address
3124	Name and address line	C an..35	C	:	Address
C080	Party name	C	O		
3036	Party name	M an..35	M	+SHIPTO NAME	Company name
3036	Party name	C an..35	C	:	
3036	Party name	C an..35	C	:	
3036	Party name	C an..35	C	:	
3036	Party name	C an..35	C	:	
3045	Party name format, code	C an..3	C	:	
C059	Street	C	N		Not used
3042	Street and number/p.o. box	M an..35	C		
3042	Street and number/p.o. box	M an..35	C		
3042	Street and number/p.o. box	M an..35	C		
3042	Street and number/p.o. box	M an..35	C		
3164	City name	C an..35	O	+TOWN	town
3229	Country sub-entity identification	C an..9	N	+	Not used
3251	Postcode identification	C an..9	N	+	Not used
3207	Country, coded	C an..3	O	+FR'	Refer to International Standard ISO 3166

Example:

NAD+CN+000244398203800046::5'

Faurecia specific: M=Mandatory, C=Conditional, O=Optional, N=Not used

Group: **SG2** Status: M Max. occ.: 1

Segment: **LOC** Pos.: 12 Level: 2
Status: M Max. occ.: 1

Function: **Place of Discharge**

Usage notes: Faurecia requires that the place of discharge is present in the Despatch Advice. The value taken by the data element C517 3225 must be retrieved from the delivery schedule, message DELFOR D96A transmitted by Faurecia.

EDIFACT			FAURECIA Implementation		
	Name	St Format	St	Sample	Usage / Remarks
LOC				LOC	
3227	Place/location qualifier	M an..3	M	+11	11 = Place/port of discharge
C517	Location identification	C	M		
3225	Place/location identification	M an..25	M	+1081-R139'	Identification on 9 digits assigned by Faurecia to the receiving dock at the plant.
1131	Code list qualifier	C an..3	N		Not used
3055	Code list responsible agency,coded	C an..3	N		Not used
3224	Place/location	C an..70	N		Not used

Example:

LOC+11+1081-R139'

Group: **SG2** Status: M Max. occ.: 1

Segment: **NAD** Pos.: 7 Level: 1
Status: M Max. occ.: 1

Function: **Consignor Name and Address**

Usage Notes: **Important:** SG2-NAD with **Consignor details must be present.** It is critical information; messages not containing this information will be rejected. The value taken by the data element C082 3039 must be retrieved from the delivery schedule, message DELFOR D96A transmitted by Faurecia

EDIFACT			FAURECIA Implementation		
Name	St Format	St	Sample	Usage / Remarks	
NAD			NAD		
3035 Party qualifier	M an..3	M	+CZ	CZ = Consignor	
C082 Party identification details	C	M			
3039 Party id. identification	M an..35	M	+100453	Identification assigned to the Consignee, see 3055	
1131 Code list qualifier	C an..3	N	:	Not used	
3055 Code list responsible agency, coded	C an..3	C	:92	5 = ISO identification 10 = ODETE identification 16 = DUNs number 92 = assigned by Buyer	
C058 Name and address	C	O			
3124 Name and address line	M an..35	M	+SHIPTO ADDRESS1	Address	
3124 Name and address line	C an..35	C	:	Address	
3124 Name and address line	C an..35	C	:	Address	
3124 Name and address line	C an..35	C	:	Address	
C080 Party name	C	O			
3036 Party name	M an..35	M	+SHIPTO NAME	Company name	
3036 Party name	C an..35	C	:		
3036 Party name	C an..35	C	:		
3036 Party name	C an..35	C	:		
3036 Party name	C an..35	C	:		
3045 Party name format, code	C an..3	C	:		
C059 Street	C	N			
3042 Street and number/p.o. box	M an..35	C		Not used	
3042 Street and number/p.o. box	M an..35	C			
3042 Street and number/p.o. box	M an..35	C			
3042 Street and number/p.o. box	M an..35	C			
3164 City name	C an..35	O	+TOWN	town	
3229 Country sub-entity identification	C an..9	N	+	Not used	
3251 Postcode identification	C an..9	N	+	Not used	
3207 Country, coded	C an..3	O	+FR'	Refer to International Standard ISO 3166	

Example:

NAD+CZ+100453::92'

Faurecia specific: M=Mandatory, C=Conditional, O=Optional, N=Not used

Group: **SG2** Status: M Max. occ.: 1

Group: **SG4** Status: O Max. occ.: 1

Segment: **CTA** Pos.: 14 Level: 2
Status: M Max. occ.: 1

Function: **Consignor contact details**

Usage Notes Faurecia recommends that a Contact name is provided in the ASN, same information as the one printed on the paper delivery note.

EDIFACT			FAURECIA Implementation		
	Name	St Format	St	Sample	Usage / Remarks
	CTA			CTA	
3139	Contact function, coded	C an..3	M	+IC	IC = Information contact
C056	Department or employee details	C	M		
3413	Department or employee identification	C an..17	N	+	Not used
3412	Department or employee	C an..35	M	: CONTACTNAME	Contact name

Example:

CTA+IC+:CONTACTNAME'

Group: **SG2** Status: M Max. occ.: 1

Group: **SG4** Status: O Max. occ.: 1

Segment: **COM** Pos.: 15 Level: 3
Status: O Max. occ.: 1

Function: **Consignor communication details**

Usage Notes: Faurecia recommends that a phone number is provided in the ASN, same information as the one printed on the paper delivery note.

EDIFACT			FAURECIA Implementation		
	Name	St Format	St	Sample	Usage / Remarks
COM				COM	
C076	COMMUNICATION CONTACT	M	O		
3148	Communication number	M an..256	M	+0033476334949	Phone number for previous CTA segment
3155	Communication channel Qualifier	M an..3	M	:TE'	TE = Identifier for phone information

Example:

COM+0033476334949:TE'

Group: **SG2** Status: M Max. occ.: 1

Segment: **NAD** Pos.: 16 Level: 1
Status: M Max. occ.: 1

Function: **Seller Name and Address**

Usage Notes: **SG2-NAD with Seller details must be present.** It is critical information; messages not containing this information will be rejected.

EDIFACT			FAURECIA Implementation		
	Name	St Format	St	Sample	Usage / Remarks
NAD				NAD	
3035	Party qualifier	M an..3	M	+SE	SE = Seller
C082	Party identification details	C	M		
3039	Party id. identification	M an..35	M	+100453	Seller account number assigned by Faurecia
1131	Code list qualifier	C an..3	N	:	Not used
3055	Code list responsible agency, coded	C an..3	C	:92'	5 = ISO identification 10 = ODETE identification 16 = DUNS number 92 = assigned by Buyer
C058	Name and address	C	O		
3124	Name and address line	M an..35	M		Address
3124	Name and address line	C an..35	C		
3124	Name and address line	C an..35	C		
3124	Name and address line	C an..35	C		
C080	Party name	C	O		
3036	Party name	M an..35	M		Seller' name
3036	Party name	C an..35	C		
3036	Party name	C an..35	C		
3036	Party name	C an..35	C		
3036	Party name	C an..35	C		
3045	Party name format, code	C an..3	C		
C059	Street	C	O		
3042	Street and number/p.o. box	M an..35	C		
3042	Street and number/p.o. box	M an..35	C		
3042	Street and number/p.o. box	M an..35	C		
3042	Street and number/p.o. box	M an..35	C		
3164	City name	C an..35	O		
3229	Country sub-entity identification	C an..9	C		
3251	Postcode identification	C an..9	C		
3207	Country, coded	C an..3	O		Refer to International Standard ISO 3166

Example:

NAD+SE+100453::92'

Faurecia specific: M=Mandatory, C=Conditional, O=Optional, N=Not used

Group: **SG1** Status: M Max. occ.: 1

Segment: **RFF** Pos.: 17 Level: 1
Status: M Max. occ.: 1

Function: **Vendor account number at Faurecia – Seller reference**

Usage Notes: Faurecia requires that the Vendor Account number assigned by Faurecia is present in the Despatch Advice. It is critical information; messages not containing these informations will be rejected.

EDIFACT			FAURECIA Implementation		
	Name	St Format	St	Sample	Usage / Remarks
RFF				RFF	
C506	Reference	M	M		
1153	Reference qualifier	M an..3	M	+ADE	ADE = Account number
1154	Reference number	C an..35	M	:0000123456'	Account number assigned by Faurecia, 10 numeric digits max, leading zeroes.

Example:

RFF+ADE:0000123456'

Group: **SG6** Status: C Max. occ.: 1

Segment: **TDT** Pos.: 18 Level: 1
Status: M Max. occ.: 1

Function: **Details on transport**

Usage Notes: In flows to North America operations of Faurecia, Transport details including the SCAC code must be provided in the Despatch Advice.

EDIFACT			FAURECIA Implementation		
	Name	St Format	St	Sample	Usage / Remarks
TDT				TDT	
8051	Transport stage qualifier	M an..3	M	+12	12=At departure
8028	Conveyance reference number	C an..17	N		Not used
C220	Mode of transport	C	O		
8067	Mode of transport, coded	M an..3	M	+30	30=By road
8066	Mode of Transport	C an..17	N		Not used
C228	Transport means	C an..3	N		Not used
C040	Carrier	C	M		
3127	Carrier identification	M an..17	M	+ABNA	SCAC code when required
1131	Code list qualifier	C an..3	N	:	Not used
3055	Code list responsible agency,	C an..3	N	:	Not used
3128	Carrier name	C an..35	C	:CARRIERNAME'	Carrier Name

Example:

TDT+12++30++ABNA:::CARRIERNAME'

Group: **SG8** Status: M Max. occ.: 1

Segment: **EQD** Pos.: 19 Level: 1
Status: M Max. occ.: 1

Function: **Details on transport**

Usage Notes: Faurecia requires that the license plate number of the equipment, e.g. trailer is present in the Despatch Advice.

EDIFACT			FAURECIA Implementation		
	Name	St Format	St	Sample	Usage / Remarks
EQD		M	M	EQD	
8053	Equipment qualifier	C an..3	M	+TE	TE= Trailer
C237	Equipment Identification	C	M		
8260	Equipment identification number	M an..17	M	+1234ABC89'	License plate number of the equipment, e.g. the trailer
1131	Mode of Transport	C an..17	N		Not used
3055	Code list responsible agency, cod	C an..3	N		Not used
3207	Country, coded	C an..3	N		Not used

Example:

EQD+TE+12345ABC89'

Group: **SG10** Status: M Max. occ.: 9999

Segment: **CPS** Pos.: 20 Level: 1
Status: M Max. occ.: 1

Function: **Consignment Packing Sequence**

Usage Notes: Faurecia requires that at least 1 occurrence of SG10 is present in the Despatch Advice. The segment group 10 shall be repeated when several material numbers are delivered to the same place of discharge Faurecia requires that the Inner level of packaging (CPS 7075 = 1) is described, i.e. the level of the Package, the packaging in which the article itself is loaded. **It is critical information.**

Despatch Advices without description of Inner Packaging might be rejected.

In addition one segment group 10 may be created per description of Outer Packaging (CPS 7075 = 3). Outer Packaging level shall not be present when the packaging described as Inner Packaging is a Simplified Handling Unit. Description of Inner Packaging should come first in the message.

EDIFACT			FAURECIA Implementation		
	Name	St Format	St	Sample	Usage / Remarks
CPS		M	M	CPS	
7164	Hierarchical id. number	C an..12	M n..6	+1	Line number, numeric 6 digits max. This number may not be repeated within the same despatch advice.
7166	Hierarchical parent id.	C an..12	N		Not used
7075	Packaging level, coded	C an..3	M	+1'	1=Inner 3=Outer

Example:

CPS+1++1'

CPS+2++3'

Group: **SG10** Status: M Max. occ.: 9999

Group: **SG11** Status: M Max. occ.: 9999

Segment: **PAC** Pos.: 21 Level: 2
Status: M Max. occ.: 1

Function: **Packaging description**

Usage Notes: Faurecia requires that SG11 with at least 1 occurrence per SG10 is present in the message.
The segment group 11 shall be repeated when a material is packed with different package types or if the same material is packed in the same package but with different quantities.
C531-data element 7233 is conditional.
In General 7233 may be not populated, unless in 2 cases:
C531- data element 7233 shall be used when the current CPS structure describes the Outer Packaging level.
In addition **C531-data element 7233 shall be used when the PAC segment describes an Auxiliary Packaging material.** Faurecia recommends using value 41 when PAC describes a pallet type and value 37 when PAC describes an auxiliary packaging material, example top cover, lid, etc...

EDIFACT			FAURECIA Implementation		
	Name	St Format	St	Sample	Usage / Remarks
PAC		M	M	PAC	
7224	Number of packages	C n..8	M	+3	The number of packages described in C202.
C531	Packaging details	C	C		
7075	Packaging level, coded	M an..3	N	+	Not used
7233	Packaging related information, coded	C an..3	C	:37	41 = pallet type 37 =auxiliary packaging type
7073	Packaging terms and conditions, coded	C an..3	N	+	Not used
C202	Package type	C	M		
7065	Type of package, identification	C an..17	M	+FAU-1234-R	Faurecia's reference number for the type of package used.
1131	List qualifier	C an..3	N	:	Not used
3055	List responsible agency, coded	C an..3	C	:92	92=assigned by Buyer
7064	Type of package	C an..35	N		Not used
C402	Package type identification	C n..8	N		Not used
C532	Returnable package details	C n..8	N		Not used

Examples:

PAC+3++FAU-1234-R::92' 3 packages of type "FAU-1234-R"

PAC+2+:41+EUR-PALETA-X::92' 2 pallets of type "EUR-PALETA-X"

PAC+1+:37+ KLT-VK1208-F::92' 1 auxiliary packaging material of type "KLT-VK1208-F"

Note: Outer packaging & auxiliary packaging information is optional

Group: **SG10** Status: M Max. occ.: 9999

Group: **SG11** Status: M Max. occ.: 9999

Segment: **QTY** Pos.: 22 Level: 3
Status: C Max. occ.: 1

Function: **Quantity of materials in the Package.**

Usage Notes: **SG11-QTY** shall be **present when CPS 7075 = 1** (i.e. current CPS structure describes the Inner Packaging)
SG11-QTY shall **NOT be present when CPS 7075 <> 1**.
Faurecia requires that the Measure unit qualifier 6411 is populated.

EDIFACT			FAURECIA Implementation		
	Name	St Format	St	Sample	Usage / Remarks
QTY		M	M	QTY	
C186	Quantity details	M	M		
6063	Quantity qualifier	M an..3	M	+53	52 = quantity per pack
6060	Quantity	M n..15	M	:100	Quantity
6411	Measure unit qualifier	C an..3	M	:PCE'	For code see UN/ECE Recommendation Nr 20.

Example:

QTY+52:100:PCE'

Group: **SG10** Status: M Max. occ.: 9999

Group: **SG11** Status: M Max. occ.: 9999

Group: **SG13** Status: M Max. occ.: 1000

Segment: **PCI** Pos.: 23 Level: 3
Status: M Max. occ.: 1

Function: **Package Identification**

Usage Notes: SG11-SG13 shall be present when CPS 7075 = 1 or CPS 7075 = 3: Current CPS structure describes the Inner or Outer Packaging.

EDIFACT			FAURECIA Implementation		
	Name	St Format	St	Sample	Usage / Remarks
	PCI	M	M	PCI	
4233	Marking instructions, coded	C an..3	M	+17'	17=Seller's instructions
C210	MARKS & LABELS	C	N		Not used
7102	Shipping marks	M an..3	N		Not used
7102	Shipping marks	M n..15	N		Not used
7102	Shipping marks	C an..3	N		Not used
8275	Container/package status, coded	C an..3	N		Not used
C827	TYPE OF MARKING	C	N		Not used
7511	Type of marking, coded	M an..3	N		Not used
1131	Code list qualifier	C an..3	N		Not used.
3055	Code list responsible agency, coded	C an..3	N		Not used

Examples:

PCI+17'

Group: **SG10** Status: M Max. occ.: 9999

Group: **SG11** Status: M Max. occ.: 9999

Group: **SG13** Status: C Max. occ.: 1000

Segment: **RFF** Pos.: 24 Level: 4
Status: M Max. occ.: 1

Function: Reference to the handling unit

Usage Notes: SG13-RFF shall be present when CPS 7075 = 1 (i.e. current CPS structure describes the Inner Packaging)
SG13-RFF shall NOT be present when CPS 7075 <> 1.

EDIFACT			FAURECIA Implementation		
	Name	St Format	St	Sample	Usage / Remarks
RFF		M	M	RFF	
C506	REFERENCE	M	M		
1153	Type of marking, coded	M an..3	M	+AAT	AAT=master label number
1154	Reference number	M an..35	M n..9	:123456789'	Reference to the master label number of the handling unit which contains the packages identified in the GIR segments below. 9 numeric digits max. The reference number must be unique.
1156	Line number	C an..3	N		Not used
4000	Reference version number	C an..3	N		Not used

Example:

RFF+AAT:123456789'

Group:	SG10	Status: M	Max. occ.: 9999
Group:	SG11	Status: M	Max. occ.: 9999
Group:	SG13	Status: C	Max. occ.: 1000
Segment:	GIR	Pos.: 25 Status: M	Level: 4 Max. occ.: 99

Function: Identifies connected to single package

Usage Notes: **SG13-GIR shall be present when CPS 7075 = 1**, i.e. the current CPS structure describes the Inner Packaging. The GIR segment will be repeated for each package label number.
SG13-GIR shall NOT be present when CPS 7075 <> 1.

EDIFACT			FAURECIA Implementation		
Name	St Format	St	Sample	Usage / Remarks	
GIR		M	M	GIR	
7297	Set Identification Qualifier	M	M	+3	3=package
C206	IDENTIFICATION NUMBER	M	M		
7402	Identity number	M an..35	M n..9	+987654321	Package label number for the S-marked unit. 9 numeric digits max. The number must be unique
7405	Identity number qualifier	M an..35	M n..9	:ML	ML=marking/label number
4405	Status, coded	C an..3	N		Not used
4000	Reference version number	C an..3	N		Not used
C206	IDENTIFICATION NUMBER	C	N		Not used
7402	Identity number	M an..35	N		Not used
7405	Identity number qualifier	M an..35	N		Not used
4405	Status, coded	C an..3	N		Not used
4000	Reference version number	C an..3	N		Not used
C206	IDENTIFICATION NUMBER	C	N		Not used
C206	IDENTIFICATION NUMBER	C	N		Not used
C206	IDENTIFICATION NUMBER	C	N		Not used

Example:

GIR+3+987654321:ML'

Group:	SG11	Status: M	Max. occ.: 9999
Group:	SG13	Status: C	Max. occ.: 1000
Group:	SG14	Status: C	Max. occ.: 1000
Segment:	GIN	Pos.: 26 Status: M	Level: 4 Max. occ.: 1

Function: Identifies connected to single package

Usage Notes: SG13-SG14 shall be present when CPS 7075 = 3, i.e. the current CPS structure describes the Outer Packaging.
SG13-SG14 shall NOT be present when CPS 7075 = 1.
Important: The GIN segment will be populated up to 5 Identity Numbers then repeated.

EDIFACT		FAURECIA Implementation			
Name	St Format	St	Sample	Usage / Remarks	
GIN	M	M	GIN		
7405 Identity number qualifier	M an..3	M	+ML	ML = Marking/label number	
C28 IDENTITY NUMBER RANGE	M	M			
7402 Identity number	M an..35	M n..9	+987654321	HU label number for the Upper level of Packaging. 9 numeric digits max. The number must be unique	
7402 Identity number qualifier	C	N		Not Used.	
C208 IDENTITY NUMBER RANGE	C	C			
C208 IDENTITY NUMBER RANGE	C	C			
C208 IDENTITY NUMBER RANGE	C	C			
C208 IDENTITY NUMBER RANGE	C	C			

Examples:

3 numbers: GIN+ML+1001+1002+1003'

7 numbers: GIN+ML+1001+1002+1003+1004+1005'

GIN+ML+1006+1007'

Group: **SG10** Status: M Max. occ.: 9999

Group: **SG15** Status: C Max. occ.: 1

Segment: **LIN** Pos.: 27 Level: 2
Status: M Max. occ.: 1

Function: Item

Usage Notes: SG10-SG15 shall be present when CPS 7075 = 1, i.e. the current CPS structure describes the Inner Packaging
SG10-SG15 shall NOT be present when CPS 7075 <> 1.
Faurecia accepts only single-article packages, therefore 1222 must be set to zero.
There is only 1 occurrence of segment group 15 per SG10. There is only 1 occurrence of LIN per article line.

EDIFACT			FAURECIA Implementation		
	Name	St Format	St	Sample	Usage / Remarks
LIN		M	M	LIN	
1082	Line item number	C n..6	N	+	Not used
1229	Action request/notification	C an..3	N	+	Not used
C212	ITEM NUMBER IDENTIFICATION	C	M		
7140	Item number	M an..35	M an..35	+96186112ZL	Material number assigned by Faurecia.
7143	Item number type, coded	C an..3	M	:IN	IN=Buyer's item number
1131	List qualifier	C an..3	N		Not used
3055	List responsible agency,	C an..3	N		Not used
C829	SUB-LINE INFORMATION	C	N	+	Not used
1222	Configuration level	C n..2	O	+0'	0 = no level
7083	Configuration, coded	C an..3	N		Not used

Example:

LIN+++96186112ZL:IN++0'

Group: **SG10** Status: M Max. occ.: 9999

Group: **SG15** Status: C Max. occ.: 1

Segment: **PIA** Pos.: 28 Level: 3
Status: O Max. occ.: 1

Function: **Item**

Usage Notes: Faurecia does not require in general additional product identifications.
When present they are for information only.

EDIFACT			FAURECIA Implementation		
	Name	St Format	St	Sample	Usage / Remarks
PIA		M	M	PIA	
4347	Product id. Function qualifier	M an..3	M	+1	1=Additional identification
C212	ITEM NUMBER	M	M		
7140	Item number	C an..35	M	+18G6508000	SA=Supplier's article number MP=Product identification number assigned by Faurecia
7143	Item number type, coded	C an..3	M	:SA'	
1131	List qualifier	C an..3	N		Not used
3055	List responsible agency,	C an..3	N		Not used
C212	ITEM NUMBER	M	O		
7140	Item number	C an..35	O	+ BATCHN	BB=Vendor Batch number
7143	Item number type, coded	C an..3	O	:BB'	
1131	List qualifier	C an..3	N		Not used
3055	List responsible agency,	C an..3	N		Not used
C212	ITEM NUMBER	C	N		Not used
C212	ITEM NUMBER	C	N		Not used
C212	ITEM NUMBER	C	N		Not used

Example:

PIA+1+18G6508000:SA'

PIA+1+18G6508000:SA+BATCHN:BB'

Group: **SG10** Status: M Max. occ.: 9999

Group: **SG15** Status: C Max. occ.: 1

Segment: **IMD** Pos.: 29 Level: 3
Status: O Max. occ.: 1

Function: **Item description**

Usage Notes For information only. Faurecia advises that the Material description is present in the Despatch Advice.

EDIFACT			FAURECIA Implementation		
	Name	St Format	St	Sample	Usage / Remarks
IMD				IMD	
7077	Item description type, coded	C an..3	N +		Not used
7081	Item characteristic, coded	C an..3	N +		Not used
C273	Item description	C	M		
7009	Item description identification	C an..17	N +		Not used
1131	Code list qualifier	C an..3	N :		Not used
3055	Code list responsible agency, coded	C an..3	N :		Not used
7008	Item description	C an..35	M	:MATDESCRIPTION	Description of the material delivered
7008	Item description	C an..35	O	:DESCRIPTION2'	Optional additional description
3453	Language,coded	C an..3	N		Not used
7383	Surface/layer indicator, coded	C an..3	N		Not used

Example:

IMD+++:::MATDESCRIPTION:DESCRIPTION2'

Group: **SG10** Status: M Max. occ.: 9999

Group: **SG15** Status: C Max. occ.: 1

Segment: **QTY** Pos.: 30 Level: 3
Status: M Max. occ.: 1

Function: **Quantity shipped**

Usage Notes Faurecia requires that the Measure unit qualifier 6411 is populated

EDIFACT			FAURECIA Implementation		
	Name	St Format	St	Sample	Usage / Remarks
QTY				QTY	
C186	Quantity details	C	M		
6063	Quantity qualifier	M an..3	M	+12	12 = Despatch Quantity
6060	Quantity	M n..15	M n..10	:100'	Quantity
6411	Measure unit qualifier	C an..3	M	:PCE'	For code see UN/ECE Recommendation Nr 20.

Example:

QTY+12:100:PCE'

QTY+12:500:KGM'

Group: **SG10** Status: M Max. occ.: 9999

Group: **SG15** Status: C Max. occ.: 1

Segment: **ALI** Pos.: 31 Level: 3
Status: M Max. occ.: 1

Function: **Country of origin**

Usage Notes Faurecia requires that the Country of Origin 3239 is populated

EDIFACT			FAURECIA Implementation		
	Name	St Format	St	Sample	Usage / Remarks
ALI				ALI	
3239	Country of origin, coded	C an..3	M	+PL'	Refer to International Standard ISO 3166
9213	Type of duty regime, coded	C an..3	N		Not used
4183	Country of origin, coded	C an..3	N		Not used
4183	Country of origin, coded	C an..3	N		Not used
4183	Country of origin, coded	C an..3	N		Not used
4183	Country of origin, coded	C an..3	N		Not used
4183	Country of origin, coded	C an..3	N		Not used

Example:

ALI+PL'

Group: **SG10** Status: M Max. occ.: 9999

Group: **SG15** Status: C Max. occ.: 1

Segment: **FTX** Pos.: 32 Level: 3
Status: O Max. occ.: 1

Function: Free Text at line item level

Usage Notes For information only

EDIFACT			FAURECIA Implementation		
	Name	St Format	St	Sample	Usage / Remarks
FTX				FTX	
4451	Text subject code qualifier	M an..3	M	+LIN'	LIN=line item level
4453	Free text function code	C an..3	N	+	Not used
C107	Text reference	C	N	+	Not used
4441	Free text description code	C an..3	N		Not used
1131	Code list identification code	C an..3	N		Not used
3055	Code list responsible agency code	C an..3	N		Not used
C108	Text reference	C	M		
4440	Free text	C an..512	C	+FREE TEXT'	
4440	Free text	C an..512	C		
4440	Free text	C an..512	C		
4440	Free text	C an..512	C		
4440	Free text	C an..512	C		
3453	Language name code	C	N		Not used
4447	Free text format code	C	N		Not used

Example:

FTX+LIN+++FREE TEXT'

Group: **SG10** Status: C Max. occ.: 1

Group: **SG15** Status: C Max. occ.: 1

Group: **SG16** Status: M Max. occ.: 1

Segment: **RFF** Pos.: 33 Level: 4
Status: M Max. occ.: 1

Function: **Purchase Order number**

Usage notes: SG16-RFF is mandatory. Faurecia requires that the Order Number issued by Faurecia (1 specific number per material) is present in the Despatch Advice. It is critical data element; missing or wrong values will result in message errors. The value taken by the data element C506 1154 must be retrieved from the delivery schedule, message DELFOR D96A transmitted by Faurecia

EDIFACT			FAURECIA Implementation		
	Name	St Format	St	Sample	Usage / Remarks
	RFF			RFF	
C506	Reference	M	M		ON = Order number (purchase) Order number for the material. To retrieve from the DELFOR message. Faurecia. 10 numeric digits max.
1153	Reference qualifier	M an..3	M	+ON	
1154	Reference number	C an..35	C	:5500270069'	

Example:

RFF+ON:5500270069'

Segment: **UNT** Pos.: 34 Level: 0
Status: M Max. occ.: 1

Function: **MESSAGE TRAILER**

Usage notes: A service segment is ending a message

EDIFACT			FAURECIA Implementation		
	Name	St Format	St	Sample	Usage / Remarks
	UNT			UNT	
0074	Number of segments in a message	M n..6	M	+70	
0062	Message reference number	M an..14	M	+1234'	Message control number assigned by the sender of the message.

Example:

UNT+70+1234'

Segment: **UNZ** Pos.: 35 Level: 0
Status: M Max. occ.: 1

Function: **INTERCHANGE TRAILER**

Usage notes: A service segment is ending an interchange

EDIFACT			FAURECIA Implementation		
	Name	St Format	St	Sample	Usage / Remarks
	UNZ			UNZ	
0036	Interchange control count	M n..6	M	+1	
0020	Interchange control reference	M an..14	M	+0027005'	

Example:

UNZ+1+0027005'

4. Examples

Following examples are only illustrative. They **SHALL NEVER** be used as a basis for coding or implementing this message.

4.1. Example of Dispatch Advice referring to a MURN - LISA process

Additional mandatory segments for LISA process are highlighted.

UNH+1+DESADV:D:96A:UN'	Message start segment
BGM+351+37191844'	Document number
DTM+137:201408010748:203'	Document date/ time
DTM+132:201408010800:203'	Expected delivery date/time
DTM+11:201408010800:203'	Despatch Date/time
MEA+AAX+AAD+KGM:81'	Total gross weight
RFF+CRN:37191844'	Transport number
RFF+MA:0185247112'	MURN – Manifest number
NAD+SE+1093::92++FAURECIA TRABITZ++++DE'	Seller details
RFF+ADE:1093000000'	Vendor account number at Customer
NAD+CN+1059::92++FAURECIA BAKOV++++CZ'	Consignee details
LOC+11+1059-R084'	Place of discharge
NAD+CZ+1093::92'	Consignor details
EQD+TE+AB 123'	Equipment, trailer id is AB 123
CPS+1++1'	Item structure 1
PAC+4++KLT-008711-R::92'	4 Packaging, pack type is KLT-008711-R
QTY+52:10:PCE'	Standard qty per package is 10
PCI+17'	
RFF+AAT:149883082'	First handling unit has number 149883082
GIR+3+149880128:ML'	4 packages 149880128 to 130 and 149883081
GIR+3+149880129:ML'	
GIR+3+149880130:ML'	
GIR+3+149883081:ML'	
LIN+++18L2001000:IN++0'	Customer item number
PIA+1+18L2001000:SA'	Vendor item number
IMD+++::ROHR KPL PQ35'	
QTY+12:40:PCE'	Total dispatched quantity = 40
ALI+DE'	Country of origin is DE
RFF+ON:5500034387'	PO number
CPS+2++3'	Outer Packaging description
PAC+1++PALLET::92'	type PALLET used
PCI+17'	
GIN+ML+149883082'	identification number used for this package type
UNT+34+1'	Message end segment

Note: Outer packaging & auxiliary packaging information is optional

4.2. Example using Simplified Handling Units

UNH+1+DESADV:D:96A:UN'
 BGM+351+01729'
 DTM+137:201403031536:203'
 DTM+132:201403070000:203'
 MEA+AAX+AAD+KGM:6917'
 RFF+CRN:00000'
 NAD+CN+94000738110550::10++FAURECIA EMISSION CONTROL TECH ITAL'
 LOC+11+1505-R256'
 NAD+CZ+0002955800::10++Terni S.r.l.'
 NAD+SE+094000575610555001::10++Terni S.r.l.'
 RFF+ADE:00029558'
 CPS+001++1'
 PAC+1++QUADR CON TAVOLE::92'
 QTY+52:114:PCE'
 PCI+17'
 RFF+AAT:144020539'
 GIR+3+144020539:ML'
 LIN+++2025696551:IN++0'
 PIA+1+441LI-65X1.20X2321:SA'
 QTY+12:114:PCE'
 ALI+IT'
 RFF+ON:5500172919'
 CPS+002++1'
 PAC+4++QUADR CON TAVOLE::92'
 QTY+52:137:PCE'
 PCI+17'
 RFF+AAT:134010361'
 GIR+3+134010361:ML'
 PCI+17'
 RFF+AAT:194020273'
 GIR+3+194020273:ML'
 PCI+17'
 RFF+AAT:194020274'
 GIR+3+194020274:ML'
 PCI+17'
 RFF+AAT:194020277'
 GIR+3+194020277:ML'
 LIN+++2029267629:IN++0'
 PIA+1+441LI-60X1.20X1180:SA'
 QTY+12:548:PCE'
 ALI+IT'
 RFF+ON:5500173008'
 UNT+43+1'

Message start segment
 Document number
 Document date/ time
 Expected delivery date/time
 Total gross weight

Consignee details
 Place of discharge
 Consignor details
 Seller details
 Vendor account number at Customer
 Item structure 1
 1 packaging, pack type is QUADR CON TAVOLE.
 Standard qty per package is 114

First handling unit is number 144020539
 Pack = HU simplified 144020539
 Customer item number
 Vendor item number
 Total dispatched quantity = 114
 Country of origin
 PO number
 Item structure 2
 4 Packaging, pack type is QUADR CON TAVOLE
 Standard qty per package is 137

First handling unit is number 134010361
 Pack = HU simplified 134010361

2nd handling unit is number 134020273
 Pack = HU simplified 134020273

3rd handling unit is number 134020274
 Pack = HU simplified 134020274

4th handling unit is number 134020277
 Pack = HU simplified 134020277
 Customer Item number
 Vendor Item number
 Total dispatched quantity
 Country of origin is IT
 PO number
 Message end segment

4.3. Example using homogeneous Handling Units

UNH+1253509+DESADV:D:96A:UN:A01051'
 BGM+351+1401000519'
 DTM+137:201403031536:203'
 DTM+132:201403070000:203'
 MEA+AAAX+AAD+KGM:209.7'
 NAD+CN+1494+BIBERBACHSTRASSE 9::86157 AUGSBURG+FAURECIA AUGSBURG++++DE'
 LOC+11+1494-R400'
 NAD+CZ+197232::10+POLIGONO INDUSTRIAL::31350 PERALTA+PLASTICOS FULL S.L.++++ES'
 CTA+IC+:SANDRA'
 COM+(?+34) 948753001:TE'
 NAD+SE+147232::10+POLIGONO INDUSTRIAL::31350 PERALTA+PLASTICOS FULL S.L.++++ES'
 RFF+ADE:197232'
 CPS+1++1'
 PAC+48++CARTON 475*300*34::92'
 QTY+52:100:PCE'
 PCI+17'
 RFF+AAT:194'
 GIR+3+1758:ML'
 GIR+3+1759:ML'
 GIR+3+1760:ML'
 GIR+3+1761:ML'
 GIR+3+1762:ML'
 GIR+3+1763:ML'
 GIR+3+1764:ML'
 GIR+3+1765:ML'
 GIR+3+1766:ML'
 GIR+3+1767:ML'
 PCI+17'
 RFF+AAT:195'
 GIR+3+1768:ML'
 GIR+3+1769:ML'
 GIR+3+1770:ML'
 GIR+3+1771:ML'
 GIR+3+1772:ML'
 GIR+3+1773:ML'
 GIR+3+1774:ML'
 GIR+3+1775:ML'
 GIR+3+1776:ML'
 GIR+3+1777:ML'
 PCI+17'
 RFF+AAT:196'
 GIR+3+1778:ML'
 GIR+3+1779:ML'
 GIR+3+1780:ML'
 GIR+3+1781:ML'
 GIR+3+1782:ML'
 GIR+3+1783:ML'
 GIR+3+1784:ML'
 GIR+3+1785:ML'
 GIR+3+1786:ML'
 GIR+3+1787:ML'
 PCI+17'
 RFF+AAT:197'
 GIR+3+1788:ML'
 GIR+3+1789:ML'
 GIR+3+1790:ML'
 GIR+3+1791:ML'
 GIR+3+1792:ML'
 GIR+3+1793:ML'
 GIR+3+1794:ML'
 GIR+3+1795:ML'
 GIR+3+1796:ML'
 GIR+3+1797:ML'
 PCI+17'

Message start segment
 Document number
 Document date/ time
 Expected delivery date/time
 Total gross weight
 Consignee details
 Place of discharge
 Consignor details
 Contact person name
 ...And telephone
 Seller Details
 Vendor account number at Customer
 Item structure 1
 48 Packages, pack type is CARTON...
 Standard qty per package is 100

First handling unit is number 194
 10 packages from 1758 to 1767

2nd handling unit is number 195
 10 packages from 1768 to 1777

3rd handling unit is number 196
 10 packages from 1778 to 1787

4th handling unit is number 197
 10 packages from 1788 to 1797

5th handling unit is number 198

Faurecia specific: M=Mandatory, C=Conditional, O=Optional, N=Not used

RFF+AAT:198'
GIR+3+1798:ML'
GIR+3+1799:ML'
GIR+3+1800:ML'
GIR+3+1801:ML'
GIR+3+1802:ML'
GIR+3+1803:ML'
GIR+3+1804:ML'
GIR+3+1805:ML'
LIN+++2222104011:IN++0'
PIA+1+2222104011:SA'
IMD+++:::KUNSTSTOFFHALTER 1512512'
QTY+12:4800:PCE'
ALI+ES'
RFF+ON:5500224113'
CPS+2++3'
PAC+5+++PALLET::92'
PCI+17'
GIN+ML+194+195+196+197+198'
UNT+82+1253509'

8 packages from 1798 to 1905

Customer item number
Vendor item number
Item Description
Total despatched quantity
Country of origin
PO number
Outer Packaging description
5 times type PALLET used

5 identification numbers used for this package type
Message end segment

Note: **Outer packaging & auxiliary packaging information is optional**

4.4. Example using Mixed (Heterogeneous) Handling Units

UNH+1+DESADV:D:96A:UN'
 BGM+351+01729'
 DTM+137:201403031536:203'
 DTM+132:201403070000:203'
 MEA+AAX+AAD+KGM:6917'
 RFF+CRN:00000'
 NAD+CN+94000738110550::10++FAURECIA EMISSION CONTROL TECH ITAL'
 LOC+11+1505-R256'
 NAD+CZ+0002955800::10++Terni S.r.l.'
 NAD+SE+094000575610555001::10++Terni S.r.l.'
 RFF+ADE:00029558'
 CPS+001++1'
 PAC+1++QUADR CON TAVOLE::92'
 QTY+52:114:PCE'
 PCI+17'
RFF+AAT:144020539'
 GIR+3+144020101:ML'
 LIN+++2025696551:IN++0'
 PIA+1+441LI-65X1.20X2321:SA'
 QTY+12:114:PCE'
 ALI+IT'
 RFF+ON:5500172919'
 CPS+002++1'
 PAC+3++QUADR CON TAVOLE::92'
 QTY+52:137:PCE'
 PCI+17'
RFF+AAT:144020539'
 GIR+3+134010361:ML'
 GIR+3+134010362:ML'
 GIR+3+134010363:ML'
 LIN+++2029267629:IN++0'
 PIA+1+441LI-60X1.20X1180:SA'
 QTY+12:411:PCE'
 ALI+IT'
 RFF+ON:5500173008'
CPS+003++3'
PAC+1++PALLET::92'
PCI+17'
GIN+ML+144020539'
 UNT+40+1'

Message start segment
 Document number
 Document date/ time
 Expected delivery date/time
 Total gross weight
 Consignee details
 Place of discharge
 Consignor details
 Seller details
 Vendor account number at Customer
 Item structure 1
 1 Packaging, pack type is QUADR CON TAVOLE.
 Standard qty per package is 114

Handling unit has number 144020539

1 Package = 144020101
 Customer item number
 Vendor item number
 Total dispatched quantity = 114
 Country of origin
 PO number
 Item structure 2
 3 packaging, pack type is QUADR CON TAVOLE
 Standard qty per package is 137

Handling unit has number 144020539

3 Packages 134010361 to 363

Customer Item number
 Vendor Item number
 Total dispatched quantity is 411
 Country of origin is IT
 PO number

Outer Packaging description
type PALLET used

identification number used for this package type
 Message end segment

Note: **Outer packaging & auxiliary packaging information is optional**

Additional: If Outer package is informed, it MUST be the right one. This one is not informed in DELJIT

5. Appendix

Below are some notes/instructions to help the Supplier create the proper ASN to pass certification.

1) Handling Unit (aka **label serial numbers** on Supplier labels) for RFF+ATT, GIR, GIN.

Do **not** put **leading zeros** on any of these segments.

Do **not** put any **alpha characters or prefix's** in the data as well.

It should be all NUMERIC data.

It should always be unique.

If you have a serial number "000000011" the ASN value should contain "11" only for that segment.

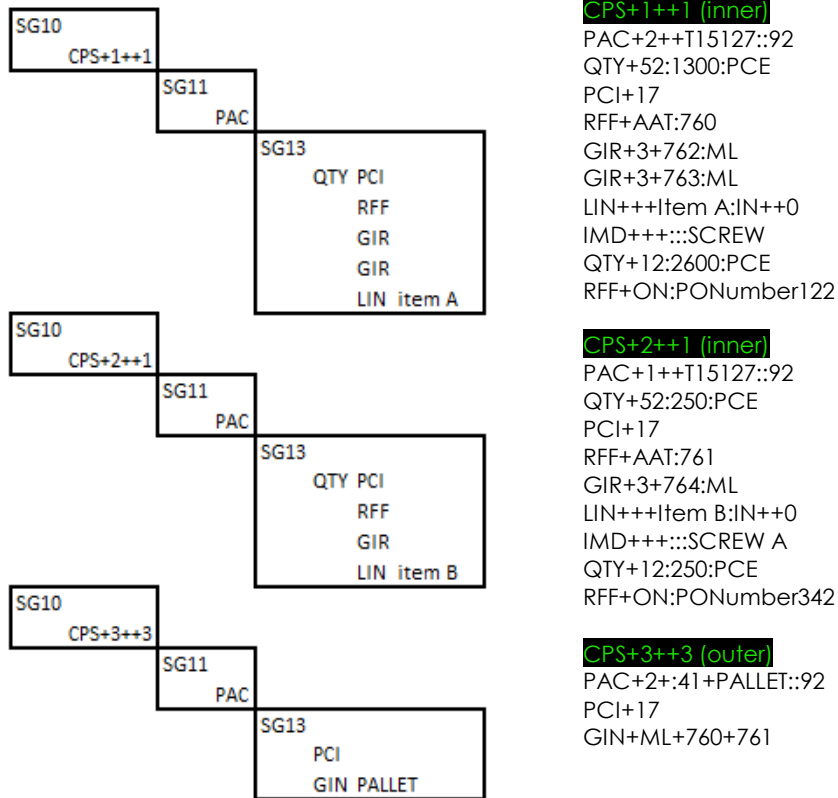
If you master label serial number is "M000001234" you need to send only "1234".

If you HU contains "S00012345" you need to send "12345"

2) Looping of Inner and Outer Packages.

Each ASN should follow the business logic below when it comes to CPS+1 (inner) and CPS+3 (outer)

If two parts are packed with the same pallet name, the ASN should have all the related information regarding the two parts at the CPS+[counter]++1 level before adding the summarized CPS+[counter]++3 level as illustrated below:

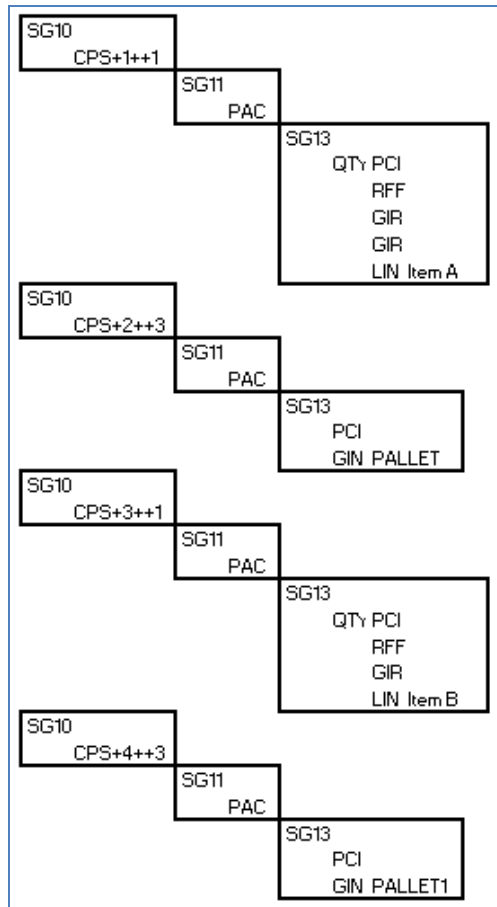


If the ASN has the loops like below, it will fail:

You cannot send the Outer Pallet (CPS+[counter]++3) after **each** Inner Level (CPS+[counter]++1) as show below.

So if you have item A packed in a PALLET-A, then item B packed in PALLET-B, the ASN will fail.

As a general rule, all CPS+x++3 should be at the **end of the ASN in a summarized format by PAC pallet name.**



CPS+1++1 (inner)

PAC+2++T15127::92
QTY+52:1300:PCE
PCI+17
RFF+AAT:760
GIR+3+762:ML
GIR+3+763:ML
LIN+++Item A:IN++0
IMD+++::SCREW
QTY+12:2600:PCE
RFF+ON:PONumber356

CPS+2++3 (outer)

PAC+1+;41+PALLET::92
PCI+17
GIN+ML+760

CPS+3++1 (inner)

PAC+1+++T15127::92
QTY+52:250:PCE
PCI+17
RFF+AAT:761
GIR+3+764:ML
LIN+++Item B:IN++0
IMD+++::SCREW A
QTY+12:250:PCE
RFF+ON:PONumber3157

CPS+4++3 (outer)

PAC+1+;41+PALLET1::92
PCI+17
GIN+ML+761

If shipping in **Mixed** skids as below take note of the structure.
If **using Aux.Packaging**, they should be at the end of the message using CPS+x++3.

Example: Shipping 3 part numbers across different pallets

Loop	Material	Serial	qty/tote	Ctn-Type	Loop	Material	Serial	qty/tote	Ctn-Type	Loop	Material	Serial	qty/tote	Ctn-Type
CPS+1	Part-A	10001	20	CTN1	CPS+2	Part-B	10004	10	CTN1	CPS+2	Part-B	10015	30	CTN1
CPS+1	Part-A	10002	20	CTN1	CPS+2	Part-B	10005	10	CTN1					
CPS+2	Part-B	10003	30	CTN1	CPS+2	Part-B	10006	10	CTN1					
CPS+3	Part-C	10013	30	CTN1	CPS+2	Part-B	10007	10	CTN1					
CPS+3	Part-C	10014	30	CTN1	CPS+2	Part-B	10008	10	CTN1					
					CPS+1	Part-A	10009	20	BOX1					
					CPS+1	Part-A	10010	20	BOX1					
					CPS+1	Part-A	10011	20	BOX1					
					CPS+1	Part-A	10012	20	BOX1					
100 (CPS+4++3)					200 (CPS+4++3)					300 (CPS+5++3)				

UNH+1+DESADV:D:96A:UN'
 BGM+351+37191844'
 DTM+137:201408010748:203'
 DTM+132:201408010800:203'
 DTM+11:201408010800:203'
 MEA+AAX+AAD+KGM:81'
 RFF+CRN:37191844'
 RFF+MA:0185247112'
 NAD+SE+1093::92++FAURECIA TRABITZ++++DE'
 RFF+ADE:1093000000'
 NAD+CN+1059::92++FAURECIA BAKOV++++CZ'
 LOC+11+1059-R084'
 NAD+CZ+1093::92'
 EQD+TE+AB 123'

LISA-NG manifest number

CPS+1++1
 PAC+2++CTN1::92
 QTY+52:20:PCE
 PCI+17
 RFF+AAT:100
 GIR+3+100001:ML
 GIR+3+100002:ML
 PAC+4++BOX1::92
 QTY+52:20:PCE
 PCI+17
 RFF+AAT:200
 GIR+3+100009:ML
 GIR+3+100010:ML
 GIR+3+100011:ML
 GIR+3+100012:ML
 LIN+++PART-A
 PIA+1+6:BB
 QTY+1:120:PCE
 ALI+US
 RFF+ON:5800018461

2 totes of Part A is put on pallet 100
 1 tote of Part B is put on pallet 100
 2 totes of Part C is put on pallet 100

Faurecia specific: M=Mandatory, C=Conditional, O=Optional, N=Not used

CPS+2++1
PAC+1++CTN1::92
QTY+52:30:PCE
PCI+17
RFF+AAT:100
GIR+3+100003:ML
PAC+1++CTN1::92
QTY+52:30:PCE
PCI+17
RFF+AAT:300
GIR+3+100015:ML
PAC+5++CTN1::92
QTY+52:10:PCE
PCI+17
RFF+AAT:200
GIR+3+100004:ML
GIR+3+100005:ML
GIR+3+100006:ML
GIR+3+100007:ML
GIR+3+100008:ML
LIN+++PART-B
PIA+1+6:BB
QTY+1:110:PCE
ALI+US
RFF+ON:5800026312

5 totes of Part B is put on pallet 200
4 totes of Part A is put on pallet 200

CPS+3++1
PAC+2++CTN1::92
QTY+52:30:PCE
PCI+17
RFF+AAT:100
GIR+3+100013:ML
GIR+3+100014:ML
LIN+++PART-C
PIA+1+6:BB
QTY+1:60:PCE
ALI+US
RFF+ON:5800035591

1 tote of Part B is put on pallet 300

CPS+4++3
PAC+2+:41+BASE4845::92
PCI+17
GIN+ML+100+200

If sending Aux Pallet codes, each pallet name should have the corresponding Master Serial #. This loop corresponds to pallets "100" and "200"

CPS+5++3
PAC+1+:41+BASE9999::92
PCI+17
GIN+ML+300

This loop takes into account the 3rd Pallet "300" with Part-B, child serial number 10015

UNT+79+0001
UNZ+1+1136

Faurecia specific: M=Mandatory, C=Conditional, O=Optional, N=Not used

